

**EVERLITE**



# Arena

## Lighting

### Elumi

#### Series

**2018**



# EL-FL18



## Product Description:

- The Elumi series Arena floodlighting system provides a complete lighting solution for the simplest through to the most complex area and recreational sports lighting applications. The high-efficiency floodlights come with three, two or single LED light modules, which function with an external driver box—separate for use at a distance from the floodlight, or pre-fixed onto the mounting bracket of the floodlight for ease of installation and lower initial cost. They meet the highest performance standards, provide outstanding light quality, and ensure safety and visual comfort. Elumi series offers new possibilities to reduce energy consumption and increase flexibility (instant start, programmable lighting levels) when used in conjunction with Everlite's advanced system controls and sensors. The floodlights are also compatible with other external control systems via DALI protocol.

## Features:

- Innovative floodlight with dedicated optics that ensure maximum optical efficiency and enable accurate light distribution with a minimum of spill light
- Light can be dimmed/controlled according to actual need, significantly reducing energy costs up to 65% in area lighting applications
- Minimized maintenance costs thanks to long-lasting LEDs and the luminaire's thermal management system, as well as its reliable IP66 driver box
- Precisely controlled light distribution – symmetrical and asymmetrical—limits light pollution
- Fully controllable when combined with the latest lighting control systems to enable maximum energy savings
- Unique quality of light with flicker-free operation suitable for HDTV broadcasting and Super Slow Motion

## Application:

- Logistics areas
- Parking areas
- Industrial areas
- Recreational sports pitch lighting
- Outdoor stadia
- Sports training grounds
- Competition grounds (with TV broadcasting)
- Indoor arenas

## Specifications:

### EL-FL18



Model	EL-FL18-1M(100-300W) EL-FL18-2M(400-600W) EL-FL18-3M(700-1200W)
Light source	Integral LED Module
Power	200W/300W/500W/600W/700W/800W/1000W/1200W (Other power upon request)
Luminaire flux	11000-33000Lm(EL-FL18-1M) 44000-66000Lm(EL-FL18-2M) 77000-140000Lm(EL-FL18-3M)
Luminaire efficacy	110-130lm/W
CCT	4000K (3000K/5000K/5700K upon request)
CRI	> 70 80 or 90(upon request)
Lifetime	100,000 hours at 25°C ambient temperature
Operating temperature range	-30 to 45°C
Driver	Meanwell (Inventronics optional) Other brand of driver(upon request)
Electrical	Class I Input voltage: 90-305VAC/50-60Hz,170-305VAC/50-60Hz 10KV/20KV SPD
Dimming	Dali 1-10V PWM Smart control management system
Options	Photocell Surge protection device (up to 20KV) External cable(Length upon request) Smart control device Motion detection
Materials	Housing: ADC12 die-cast aluminum Cover: Toughened Glass Screws: 304 stainless screws
Color	Grey/ Black/ white
Tightness level	IP66
Impact Resistance	IK08
Standards & Certifications	CE Pending ENEC Pending CB Pending GS Pending IEC Pending ROHS Pending LM80 Available LM79 Pending TM21 Pending All measurements in TUV sud Laboratory

# Elumi series Arena Lighting-exploded drawing



separated control gearbox  
made of high pressure die-casting  
aluminum material, IP66 tightness level

LED Driver (each module  
powered by one driver)

Angle adjustable  
inclination system

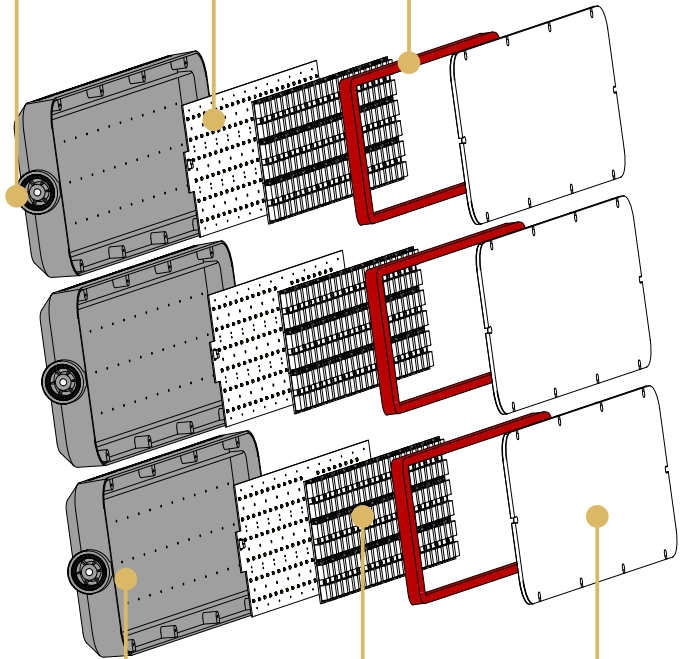
Aluminum PCB and  
LED chipset

Silicon gasket with high  
temperature resistance  
between the glass and  
the die-casting aluminum  
body, IP66 tightness level



High pressure die-casting  
aluminum bracket

High pressure die-casting  
aluminum connected-joint-arm,  
to unite the modules into a  
whole set



High pressure die-casting  
aluminum module/housing,  
enable sufficient heat dissipation

5mm toughened glass  
for preventing the PC  
lens from yellowing  
when exposed to  
direct sunlight.

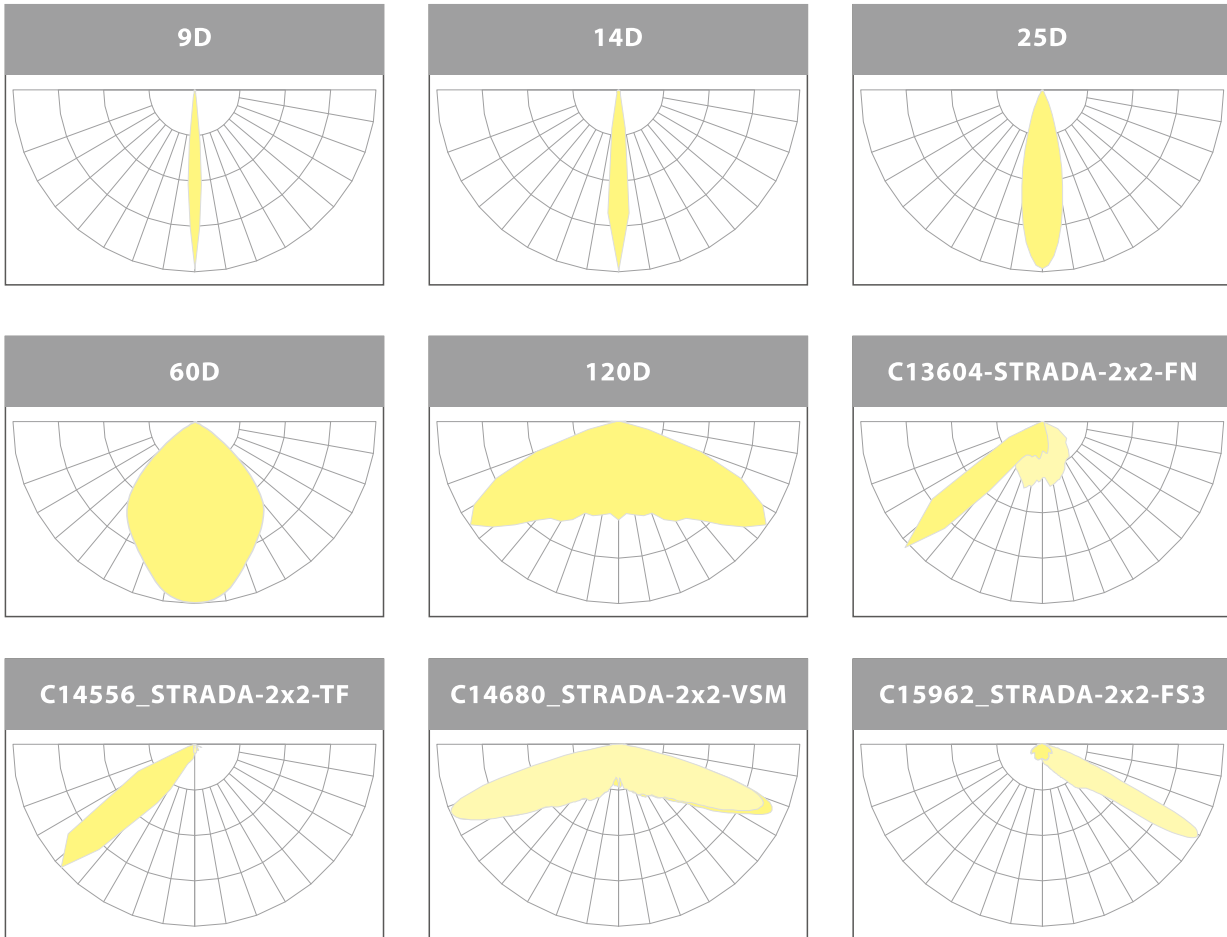
Precision designed optics,  
symmetrical and asymmetrical

## Luminous Intensity Distribution Diagram

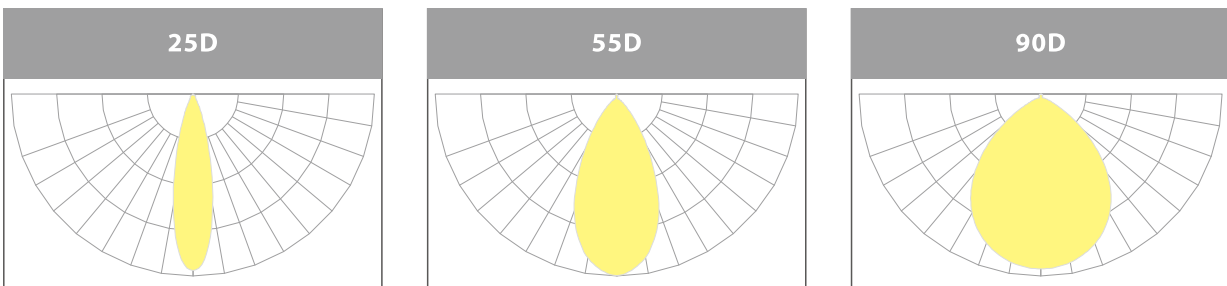
The Elumi series LED flood light luminaire come with a robust optic compartment design, enable many different options of LED chipset and optic lens modules, which will help customers to always cope with the latest development of efficiency of led by using different type of led package, from 3535, 3030.



Option 1: with 3535 LED package, basically the Elumi could offer 5 standard light distribution curves as following



Option 2: with 3030 LED package, basically the Elumi could offer 3 standard light distribution curves as following



## Product details:

### EL-FL18-3M



Elumi series Arena floodlighting,  
3-light module version

(Front view)



Elumi series Arena floodlighting,  
3-light module version

(Back view)

### EL-FL18-2M



Elumi series Arena floodlighting,  
2-light module version

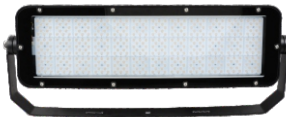
(Front view)



Elumi series Arena floodlighting,  
2-light module version

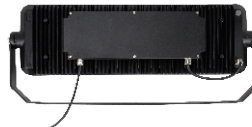
(Back view)

### EL-FL18-1M



Elumi series Arena floodlighting,  
1-light module version

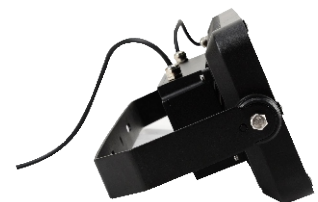
(Front view)



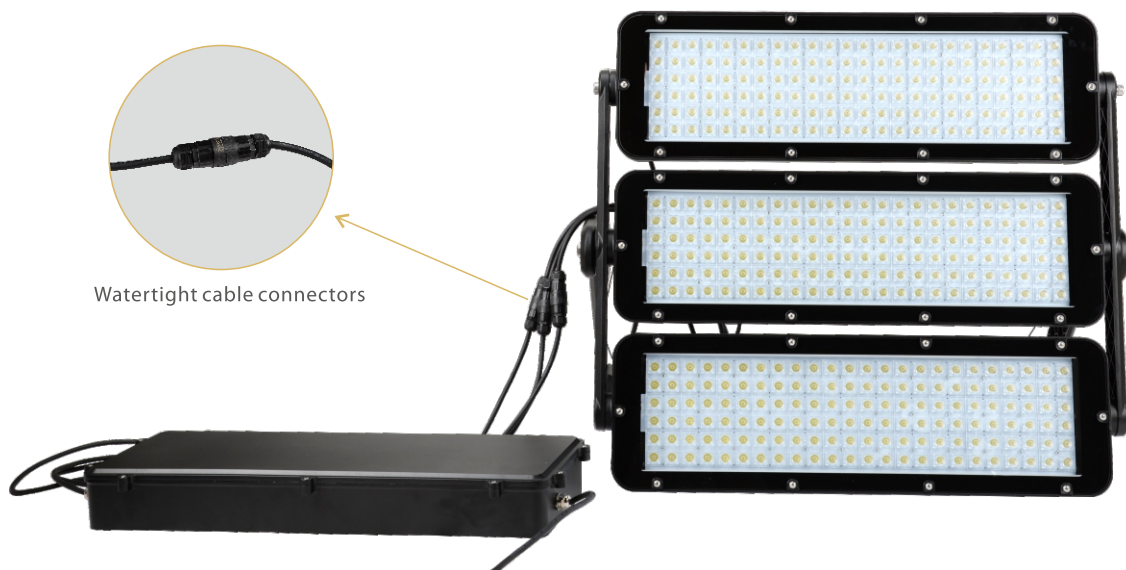
Elumi series Arena floodlighting,  
1-light module version

(Back view)

### Left side view of Elumi series Arena floodlighting



**Elumi series Arena floodlighting, 3-light module version with separate driver box**



Watertight cable connectors



Safety rope



The slot-hole in the bracket facilitates flexible installation.



High pressure die-casting aluminum bracket



Angle adjustable inclination system

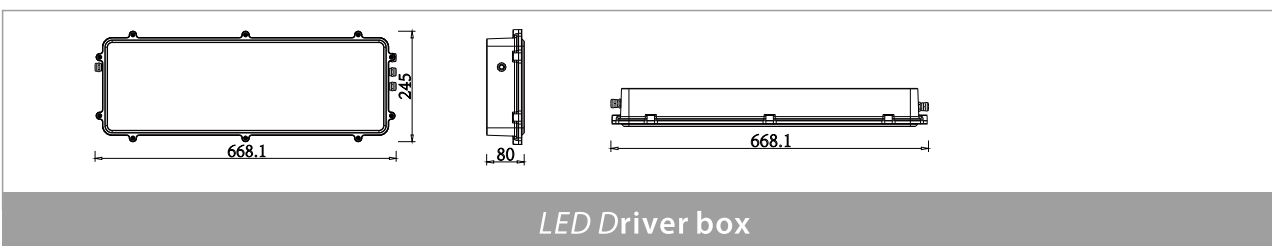
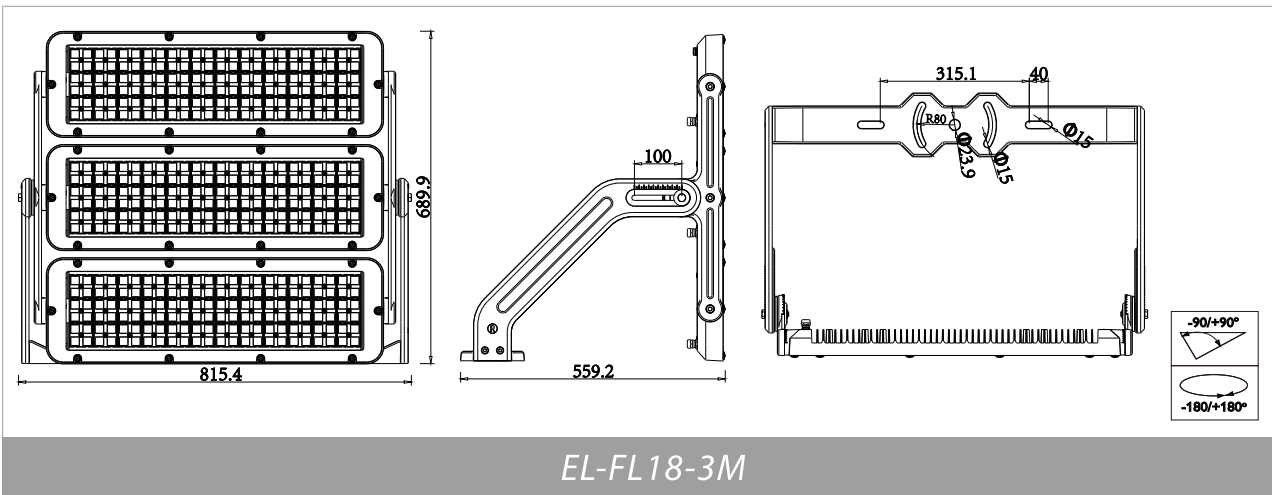
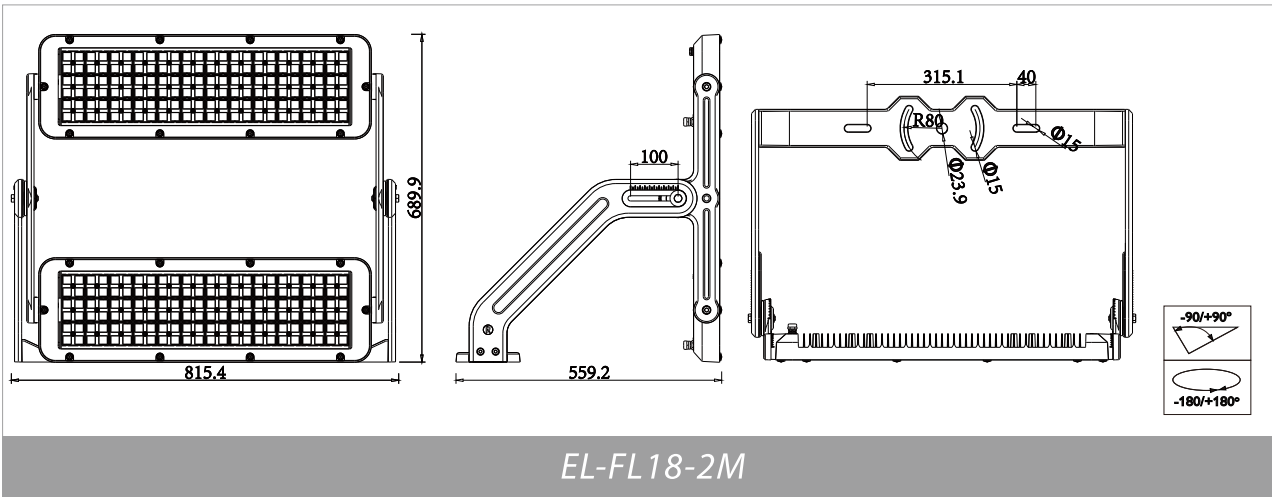
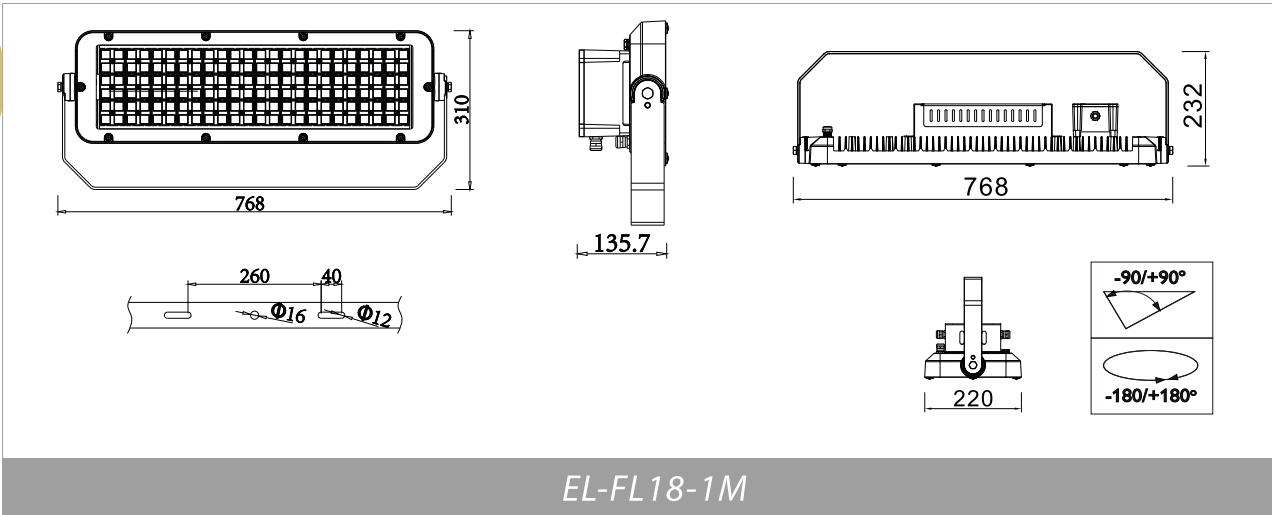


M16 Waterproof connector



separated control gearbox made of high pressure die-casting aluminum material, IP66 tightness level

Product size:





## Installation:

### - IMPORTANT SAFEGUARDS

When using electrical equipment, basic safety precautions should always be followed including the following:

1. To avoid the possibility of electrical shock, turn off power supply before installation or servicing. Installation and servicing should be performed by qualified personnel.

### - READ AND FOLLOW ALL SAFETY INSTRUCTIONS

2. When closing cover of fixture, be sure all wires are inside housing to avoid pinching wires.

3. Product must be installed in accordance with your local electrical code.

If you are not familiar with these codes and requirements, consult a qualified electrician.

4. Do not change the structure or any components of the fixture to ensure safety.

### Installation Way:



3-light module

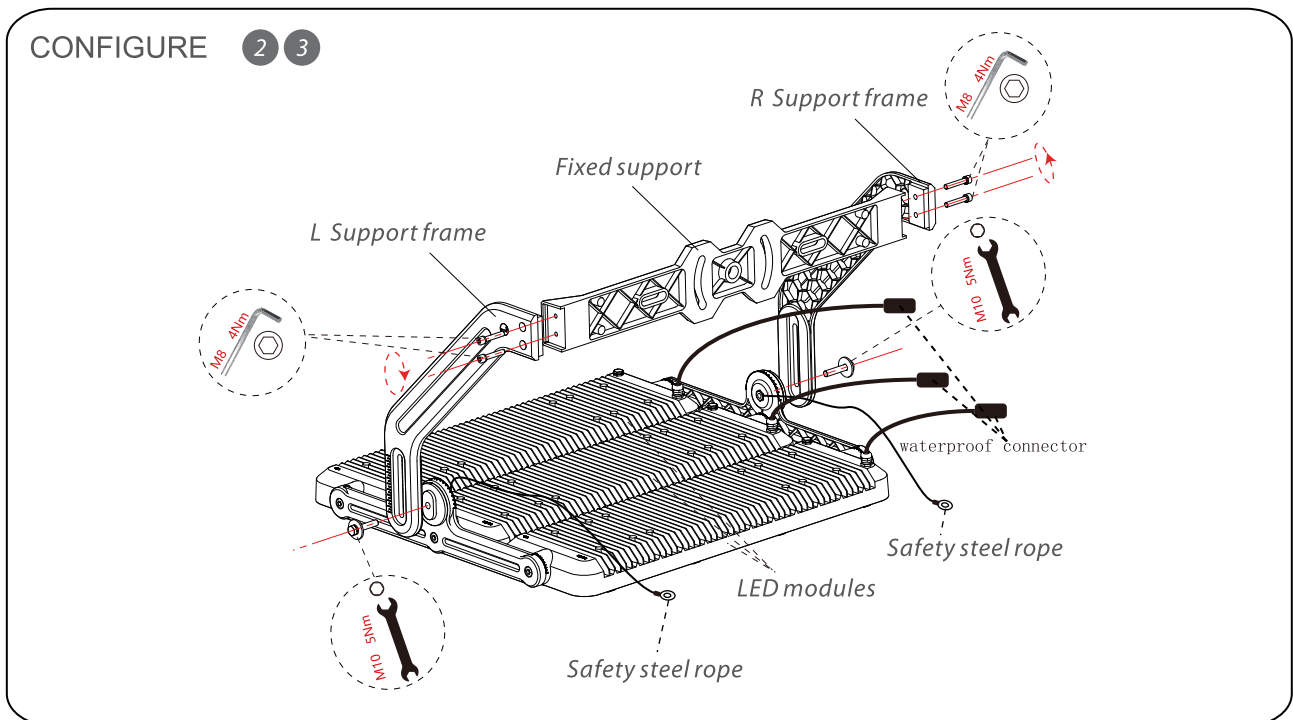


2-light module



1-light module

### Standard mounting:



#### STEP 1:

For assembly, see the above pictures.(CONFIGURE 2 3.)

#### STEP 2:

Stirrup fixed by a single bolt through  $\phi 23.9$  hole or 40x15mm oblong hole, or by twin bolts through 5mm hole. Reversible stirrup allows hang down position.

The LED modules are pre-wired with a 1m long cable and connected to a single harness. Electrical connection to the floodlight is done via a single multi-core cable (female connector supplied for quick plug-in connection).

Precision aiming device available and adjustable on top or bottom of LED module.

## Packaging:



Model	Carton Size(mm)	N.W.(Kg)	G.W.(Kg)
EL-FL18-1M	840x385x210	18.0	21.0
EL-FL18-2M	830x760x210	29.0	32.0
EL-FL18-3M	830x760x210	35.0	39.0



## Warranty:

- 5 years limited warranty is standard on luminaire and components.

## Project Cases:



# EVERLITE



Ningbo Shishang Photoelectricity Technology Co.,Ltd

Everlite LED Lighting Co.,Limited

Add:NO.166,Xinghai North Road,  
Ninghai,315600,Ningbo,China.

Tel:+86-574-8353-0320

Fax:+86-574-8353-0330

[www.everlite.cc](http://www.everlite.cc)

<http://everliteled.en.alibaba.com>