

# ÉCLAIRAGE PUBLIC



**EL-SL20(S)**

IP65      



## Feature

- Die casting aluminum housing with phosphor treatment, and powder coated finishing
- IP65 rated for external roadway illumination
- Toughened glass with good light transmission
- LED emitter brand can be varied according to requirement
- Equipped with High efficiency and power factor led power supply
- Longlife span over 50000 Hours

## Application

Motorways, Major roads, minor roads, roundabouts, crossings and industrial areas.

Available housing colors



Black

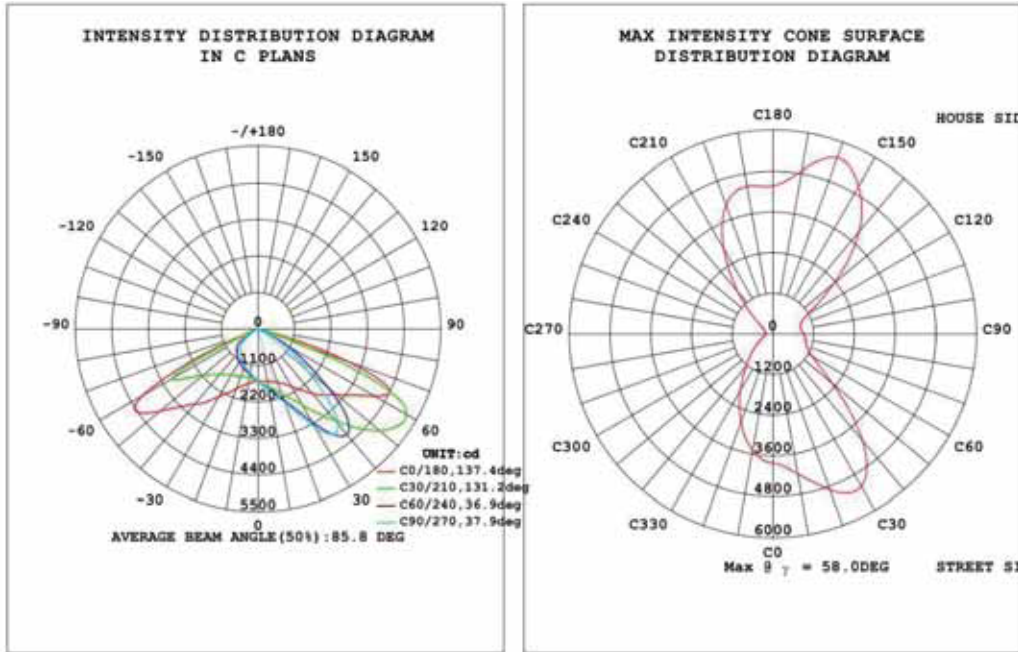
Gray

White

Blue

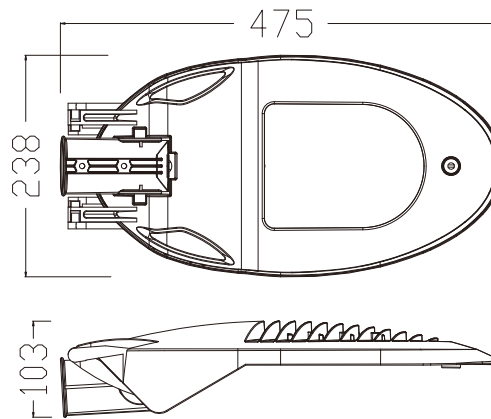


### Light distribution curve



■ EL-Street lights

### Products dimension(mm)



### Specification

Product Code	EL-SL20(S)-20W	EL-SL20(S)-30W	EL-SL20(S)-40W
LED Qty	18PCS(CREE XT-E)	18PCS(CREE XT-E)	18PCS(CREE XT-E)
Total Power consumption	20W	30W	40W
Input Voltage	AC95~305V	AC95~305V	AC95~305V
Frequency Range	50~60Hz	50~60Hz	50~60Hz
Power Factor	>0.95	>0.95	>0.95
THD	<10%	<10%	<10%
LED Color	WW/NW/CW	WW/NW/CW	WW/NW/CW
CRI	>70	>70	>70
Led Initial Flux (lumen)	2010	2850	3600
Efficiency	105LM/W	95LM/W	90LM/W
Working Ambient Temperature	-40°C~50°C	-40°C~50°C	-40°C~50°C
Working Ambient Humidity	10%~95%	10%~95%	10%~95%
Life Span	50000Hrs	50000Hrs	50000Hrs

## ÉCLAIRAGE PUBLIC



EL-SL20(M)

IP65      



### Feature

- Die casting aluminum housing with phosphor treatment, and power coated finishing
- IP65 rated for external roadway illumination
- Toughened glass with good light transmission
- LED emitter brand can be varied according to requirement
- Equipped with High efficiency and power factor led power supply
- Longlife span over 50000 Hours

### Application

Motorways, Major roads, minor roads, roundabouts, crossings and industrial areas.

Available housing colors



Black

Gray

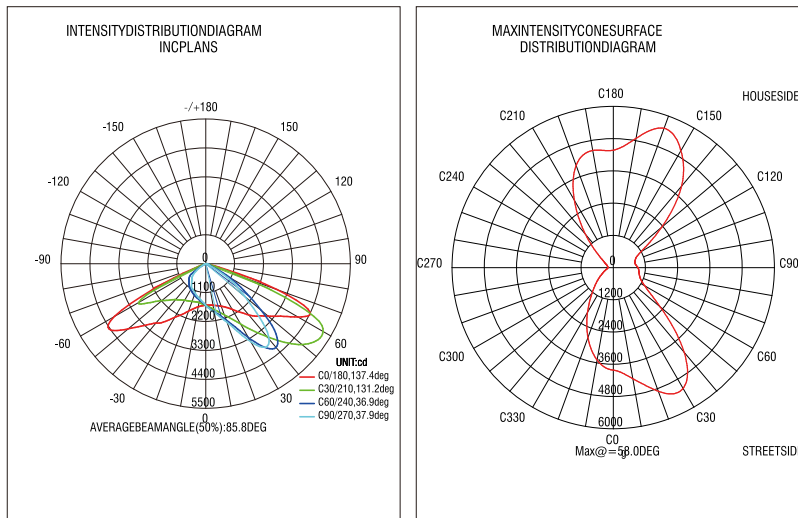
White

Blue

## ÉCLAIRAGE PUBLIC

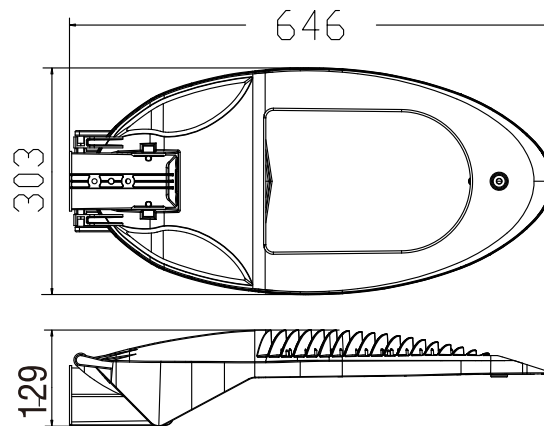


### Light distribution curve



■ EL-Street lights

### Products dimension(mm)



### Specification

Product Code	EL-SL20(M)-50W	EL-SL20(M)-60W	EL-SL20(M)-80W
LED Qty	54PCS(CREE XT-E)	54PCS(CREE XT-E)	54PCS(CREE XT-E)
Total Power consumption	50W	60W	80W
Input Voltage	AC95~305V	AC95~305V	AC95~305V
Frequency Range	50~60Hz	50~60Hz	50~60Hz
Power Factor	>0.95	>0.95	>0.95
THD	<10%	<10%	<10%
LED Color	WW/NW/CW	WW/NW/CW	WW/NW/CW
CRI	>70	>70	>70
Led Initial Flux (lumen)	5250	6300	8000
Efficiency	105LM/W	105LM/W	100LM/W
Working Ambient Temperature	-40°C~50°C	-40°C~50°C	-40°C~50°C
Working Ambient Humidity	10%~95%	10%~95%	10%~95%
Life Span	50000Hrs	50000Hrs	50000Hrs

# ÉCLAIRAGE PUBLIC



EL-SL20(M)

IP65      



## Feature

- Die casting aluminum housing with phosphor treatment, and powder coated finishing
- IP66 rated for external roadway illumination
- Natural toughened glass with high light transmittance over 96%
- LM-80 CREE-XTE LED chip
- UL Approval High efficiency & Power Factor led power supply
- Long life span over 50000 Hours

## Application

Motorways, Major roads, minor roads, roundabouts, crossings and industrial areas.

Available housing colors



Black

Gray

White

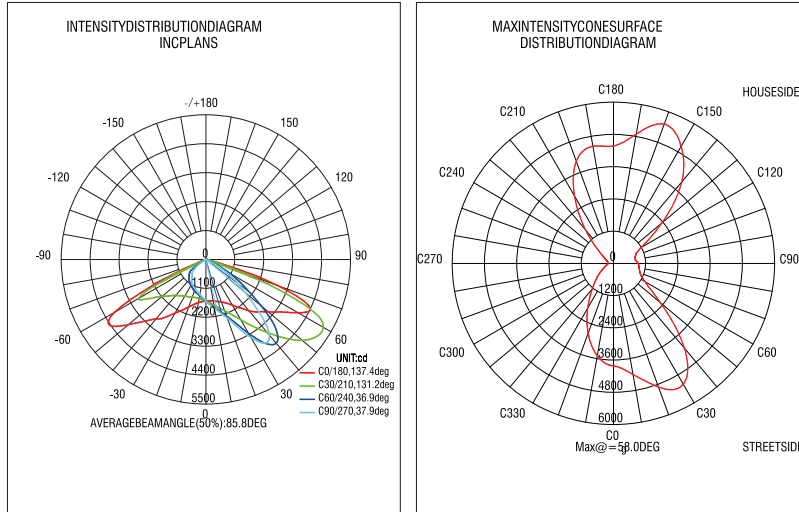
Blue

## ÉCLAIRAGE PUBLIC

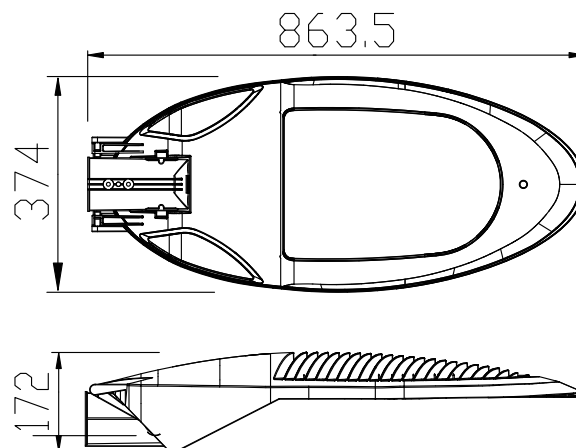
Light distribution curve



■ EL-Street lights



Products dimension (mm)



### Spécification

Product Code	EL-SL20(L)-90W	EL-SL20(L)-100W	EL-SL20(L)-120W	EL-SL20(L)-150W
LED Qty	80PCS(CREE XT-E)	80PCS(CREE XT-E)	80PCS(CREE XT-E)	80PCS(CREE XT-E)
Total Power consumption	90W	100W	120W	150W
Input Voltage	AC95~305V	AC95~305V	AC95~305V	AC95~305V
Frequency Range	50~60Hz	50~60Hz	50~60Hz	50~60Hz
Power Factor	>0.95	>0.95	>0.95	>0.95
THD	<10%	<10%	<10%	<10%
LED Color	WW/NW/CW	WW/NW/CW	WW/NW/CW	WW/NW/CW
CRI	>70	>70	>70	>70
Led Initial Flux (lumen)	9450	10000	11400	13500
Efficiency	105LM/W	100LM/W	95LM/W	90LM/W
Working Ambient Temperature	-40°C~50°C	-40°C~50°C	-40°C~50°C	-40°C~50°C
Working Ambient Humidity	10%~95%	10%~95%	10%~95%	10%~95%
Life Span	50000Hrs	50000Hrs	50000Hrs	50000Hrs

# ÉCLAIRAGE PUBLIC



SL20(XL)

Ip65      



## Feature

- Die casting aluminum housing with phosphor treatment, and power coated finishing
- IP66 rated for external roadway illumination
- Natural bughened glass with high light transmittance over 96%
- LM-80 CREE-XTE LED chip
- UL Approval High efficiency & Power Factor led power supply
- Long life span over50000 Hours

## Application

Motorways, Major roads, minor roads, roundabouts, crossings and industrial areas.

Available housing colors



Black

Gray

White

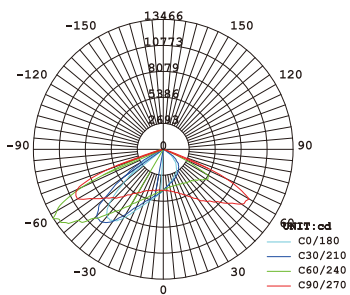
Blue



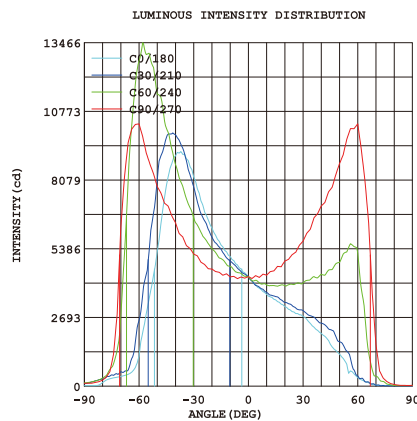
■ EL-Street lights

### Light distribution curve

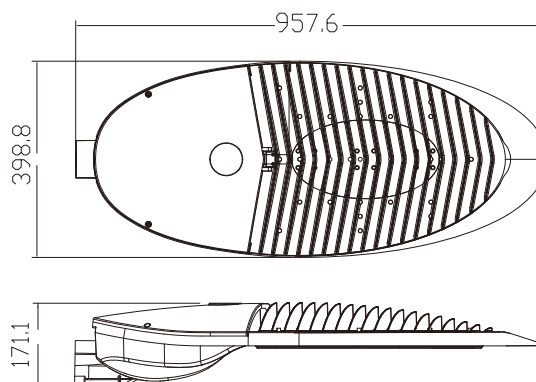
INTENSITY DISTRIBUTION DIAGRAM  
IN C PLANS



INTENSITY DISTRIBUTION DIAGRAM  
IN C PLANS



### Products dimension(mm)



### Specification

Product Code	EL-SL20(XL)-180W	EL-SL20(XL)-200W	EL-SL20(XL)-220W
LED Qty	100PCS(CREE XT-E)	100PCS(CREE XT-E)	100PCS(CREE XT-E)
Total Power consumption	180W	200W	220W
Input Voltage	AC95~305V	AC95~305V	AC95~305V
Frequency Range	50~60Hz	50~60Hz	50~60Hz
Power Factor	>0.95	>0.95	>0.95
THD	<10%	<10%	<10%
LED Color	WW/NW/CW	WW/NW/CW	WW/NW/CW
CRI	>70	>70	>70
Led Initial Flux (lumen)	17100	18000	19800
Efficiency	95LM/W	90LM/W	90LM/W
Working Ambient Temperature	-40°C~50°C	-40°C~50°C	-40°C~50°C
Working Ambient Humidity	10%~95%	10%~95%	10%~95%
Life Span	50000Hrs	50000Hrs	50000Hrs